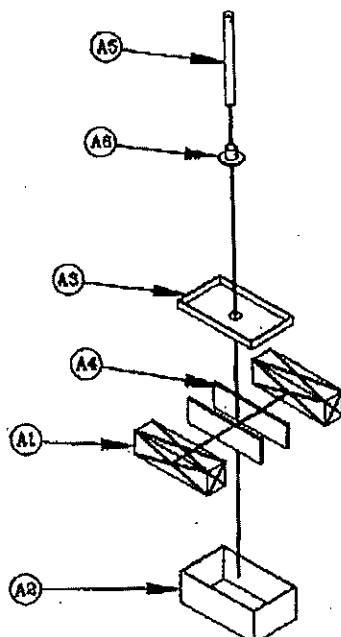
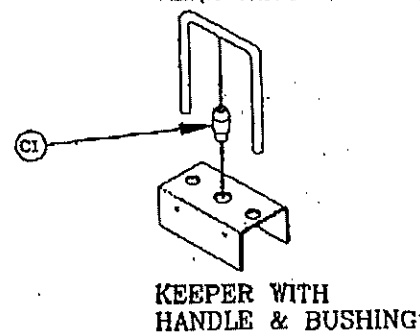


UNIT ASSEMBLY

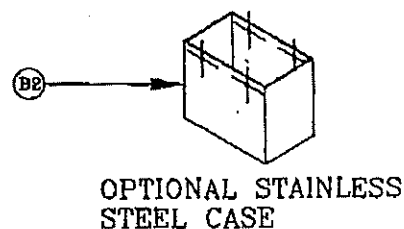


MAGNET BOX ASSEMBLY

REV. JANUARY 2006  
FILE: 70 SBRJCS DISC\70SHERT.dwg



KEEPER WITH HANDLE & BUSHING



OPTIONAL STAINLESS STEEL CASE

## MULTILIFT PARTS LIST

CERAMIC STYLE DESCRIPTION	MODEL NO.				
	71	72	74	76	78
	NO. REQ'D	NO. REQ'D	NO. REQ'D	NO. REQ'D	NO. REQ'D
(A) MAGNET BOX ASS'Y	1	1	1	1	1
(A1) MAGNETS	1	2	4	8	8
(A2) MAGNET BOX	1	1	1	1	1
(A3) MAGNET BOX COVER	1	1	1	1	1
(A4) SPACERS	-	2	-	2	3
(A5) RELEASE ROD	1	1	1	1	1
(A6) "TEE" NUT	1	1	1	1	1
(B1) LOWER CASE-NYLON	1	1	1	-	-
(B2) LOWER CASE-ST. STL. CLAD NYLON (200°F) ORDER AS "SS"	1	1	1	-	-
(B3) LOWER CASE-ALL ST. STL. (400°F) ORDER AS "HHSS"	1	1	1	1	1
(C) KEEPER W/HANDLE AND BUSHING	1	1	1	1	1
(C1) BUSHING	1	1	1	1	1
(D) SPRING	1	1	1	2	2
(E) RELEASE HANDLE	1	1	1	1	1
(F) 10-32 x 1/2 SCREWS	4	4	4	6	6
(G) LOWER CASE NUTS	4	4	4	6	8

ALNICO STYLE DESCRIPTION	71		72		74	
	NO. REQ'D	PRICE EACH	NO. REQ'D	PRICE EACH	NO. REQ'D	PRICE EACH
ALNICO MAGNET	1		2		2	

ALL OTHER PARTS ARE COMMON TO BOTH CERAMIC AND ALNICO STYLE.

REPAIR LABOR COST PER UNIT